

INSTRUCTIONS

Chelsea

F160NB / F160NW

F190BN / F190NW

F170NB / F170NW

F191NB / F191NW

Item numbers may also end in BB.

IMPORTANT! READ AND FOLLOW THESE INSTRUCTIONS CAREFULLY AND KEEP FOR FUTURE REFERENCE

If you sell or give away this product, make sure you give this instruction to the new owner.

WARNING

Children have died or been seriously injured when gates are not securely installed.

- **ALWAYS** install and use gates as directed using all required parts.
- You **MUST** install wall cups to keep the gate in place. Without wall cups, child can push out and escape.
- **STOP** using when child can climb over or dislodge/open the gate.
- Use only with the locking mechanism securely engaged.
- **NEVER** use to keep child away from pool.

- This product will not necessarily prevent all accidents. **NEVER** leave child unattended.
- Intended for use with children from 6 months through 24 months.
- This gate has an automatic close system.
- Do not use the safety gate if any components are damaged or missing.
- Ensure the surface you mount gate to is suitable for purpose and structurally sound such as solid timber, brick or masonry.
- For plaster/gyprock surface, locate the timber beam or stud behind and mount in this location (mounting on plaster/gyprock alone is not strong enough and not safe). Do not mount to glass.
- **DO NOT** install this gate to hollow walls.
- This gate is intended for indoor use and is not to be exposed to outdoor elements.
- Install this gate away from heaters and other sources of heat.

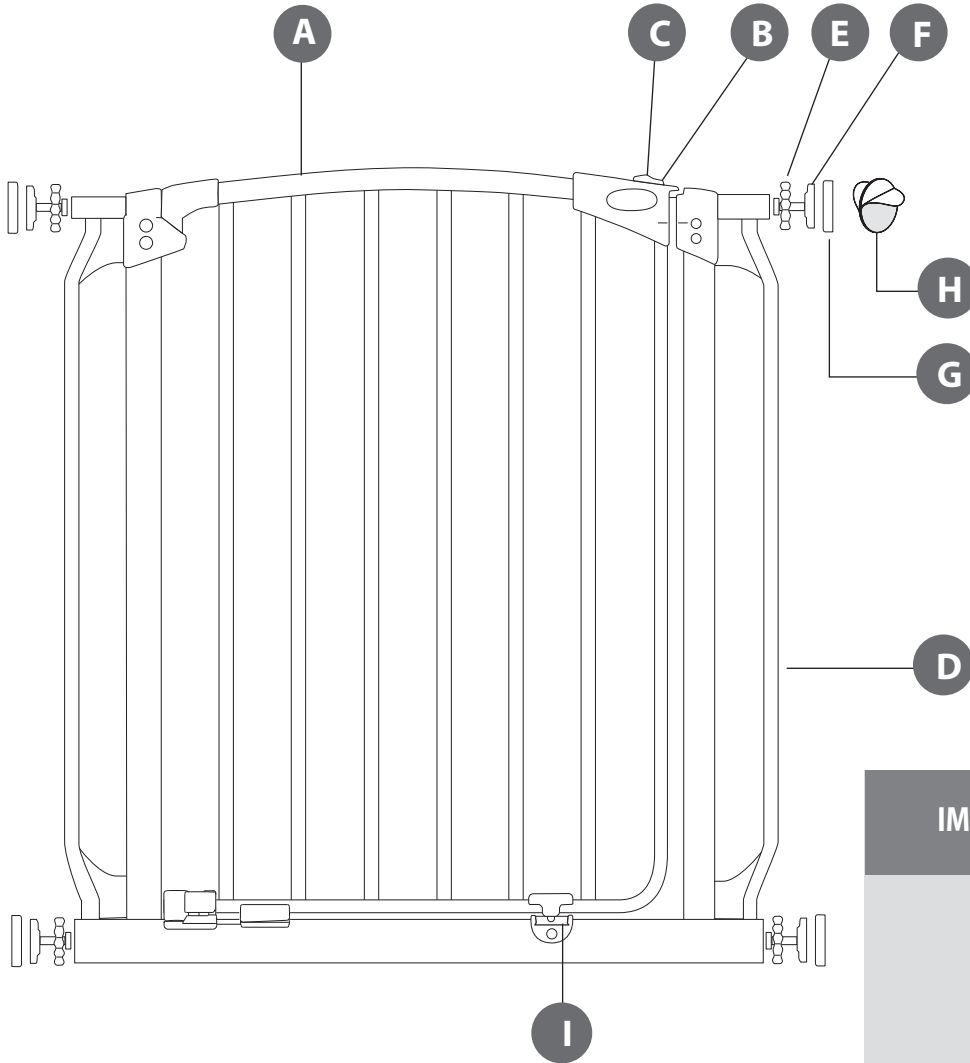
CAUTION:

With any pressure mounted gate, a construction bar is required across the base. Note, this bar can be a tripping hazard. If you choose to position a pressure mounted gate at the top of stairs, use extra caution to step over this bar to prevent trips and falls.

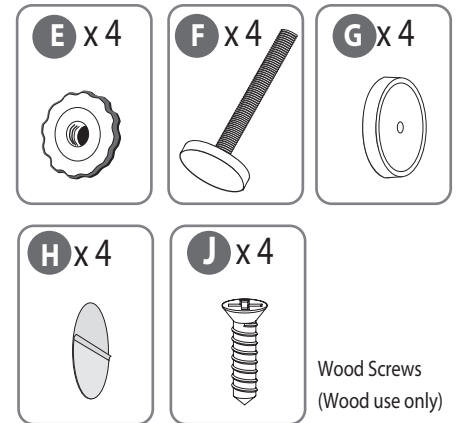
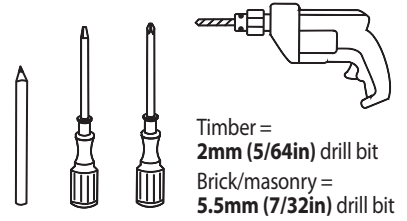
Can be used in conjunction with a Dreambaby® Watch-the-Step® Gate Ramp (**F837**) to help avoid tripping.

PARTS LIST

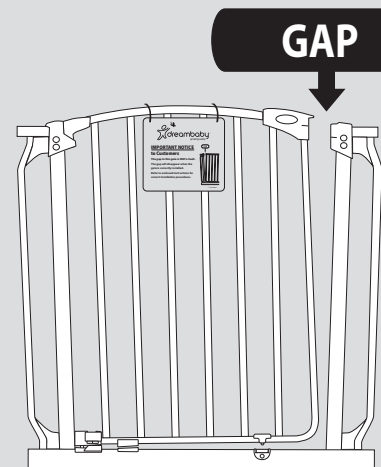
- A** Gate Panel
- B** Upper Locking Set
- C** Release Switch
- D** Gate Frame
- E** Tension Knobs
- F** Bolts with Rubber Pads
- G** Mounting Cups
- H** Double-sided Adhesive Tape
- I** Lower Locking Set
- J** Wood Screws



TOOLS REQUIRED



IMPORTANT NOTICE TO CUSTOMERS



THE GAP IN THIS GATE IS NOT A FAULT.

The gap will disappear when the gate is correctly installed.
PLEASE INSTALL GATE ACCORDING TO MANUFACTURER'S INSTRUCTIONS.



WARNING: This package contains small parts and sharp points in an unassembled state. Keep out of reach of children. Adult assembly required.

INSTALLATION

1. Measure the width of the opening of where you intend to install the gate.

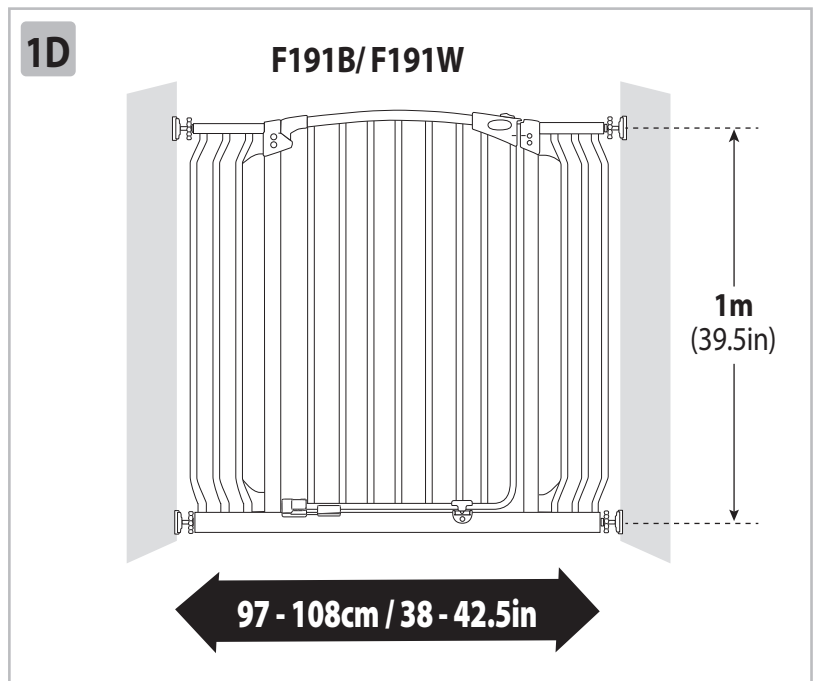
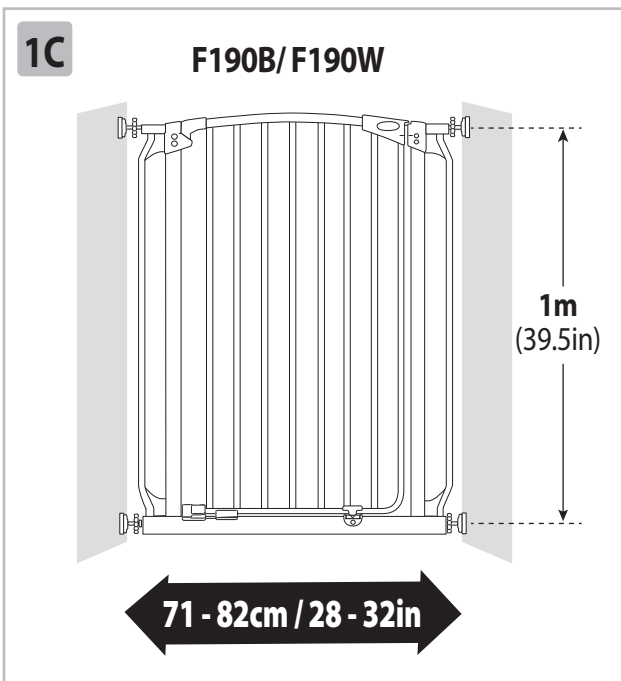
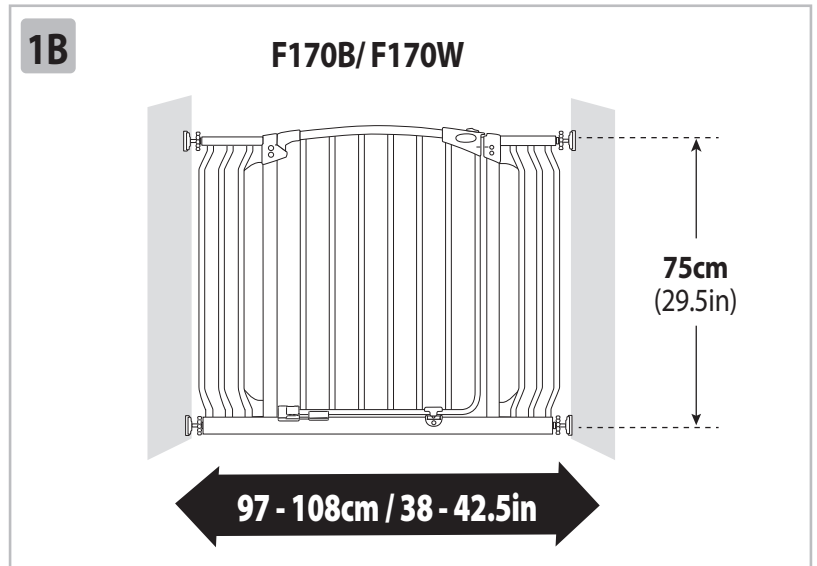
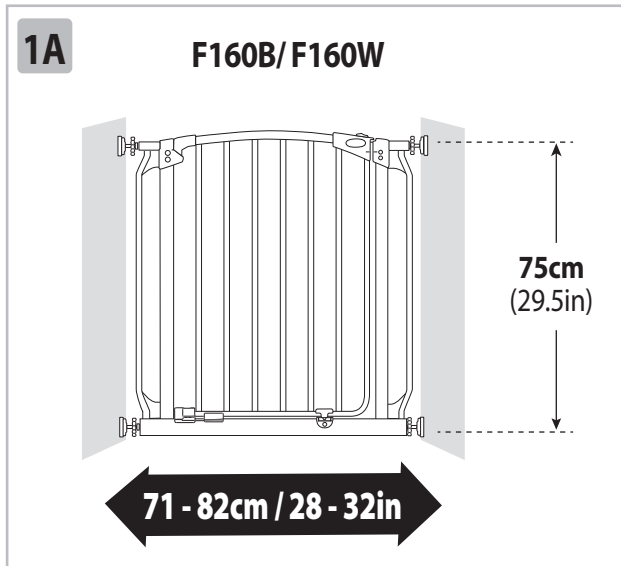
For wider openings select the appropriate Gate Extension(s), sold separately.



Ensure the surface you are mount the gate is structurally sound such as solid timber, brick or masonry.

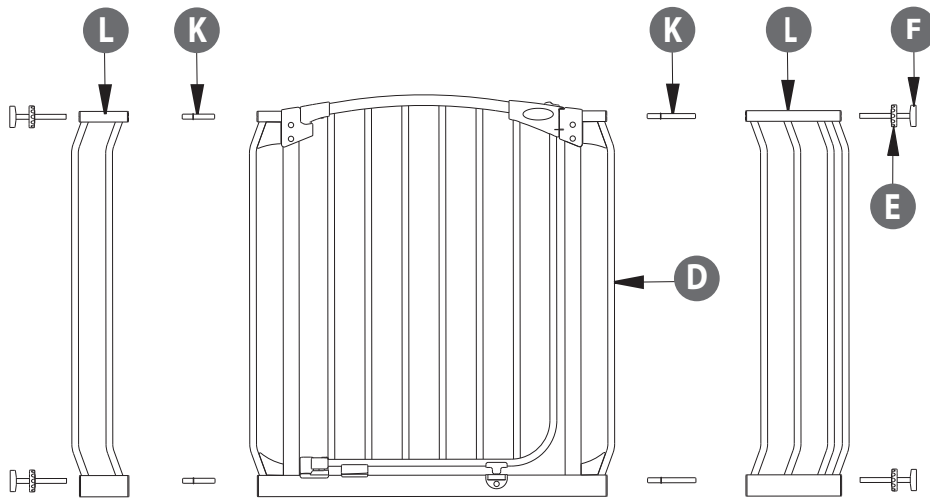
For plaster/gyprock surface, locate the timber beam or stud behind and mount in this location (mounting on plaster/gyprock alone is not strong enough and not safe).

DO NOT MOUNT TO GLASS.

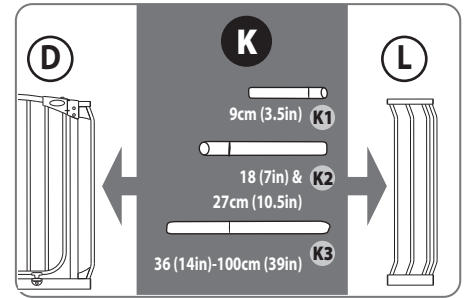


KITS			Fits openings	
F778 B/W	F160 B/W	+2 x F159(9cm/3.5in) & K1	71-100cm	28-39in
F782 B/W	F190 B/W	+ F192(9cm/3.5in) & K1 + F193(18cm/7in) & K2	71-109cm	28-42.5in
F786 B/W	2 x F160 B/W	+2 x F159(9cm/3.5in) & K1	71-100cm	28-39in
F788 B/W	2 x F190 B/W	+2 x F192(9cm/3.5in) & K1	71-100cm	28-39in
F790 B/W	F170 B/W	+ F159(9cm/3.5in) & K1 + F171(18cm/7in) & K2	97-135cm	38-53in
F792 B/W	F191 B/W	+ F192(9cm/3.5in) & K1 + F193(18cm/7in) & K2	97-135cm	38-53in
F794 B/W	F160 B/W	+ F159(9cm/3.5in) & K1	71-91cm	28-35.5in
F796 B/W	F190 B/W	+ F192(9cm/3.5in) & K1	71-91cm	28-35.5in
F798 B/W	F170 B/W	+ F159(9cm/3.5in) & K1	97-117cm	38-46in

INSTALLATION Extension

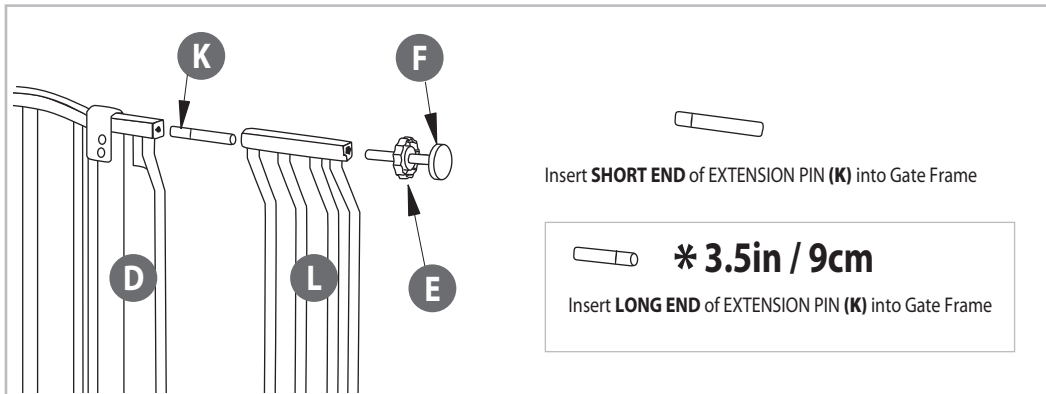


- D** Gate Frame
- E** Tension Knobs
- F** Bolts with Rubber Pads
- K** Extension Pin
- L** Gate Extension



2. Insert Extension pins into the holes on the outside of the Gate Frame.

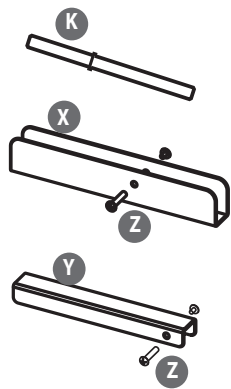
Next, slip Extension Frames over the Pins.
Finally, slide the Tension Knobs and Bolts with Rubber Pads.



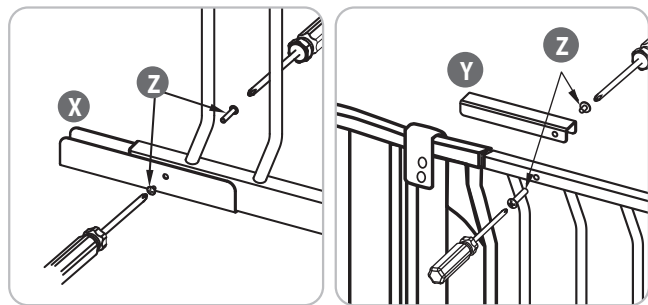
Gate extensions

- *#159/#192 - 9cm (3.5in)
- #171/#193 - 18cm (7in)
- #172/#194 - 27cm (10.5in)
- #831/#841 - 36cm (14in)
- #832/#842 - 45cm (17.5in)
- #833/#843 - 54cm (21in)
- #834/#844 - 63cm (24.5in)
- #835/#845 - 100cm (39in)

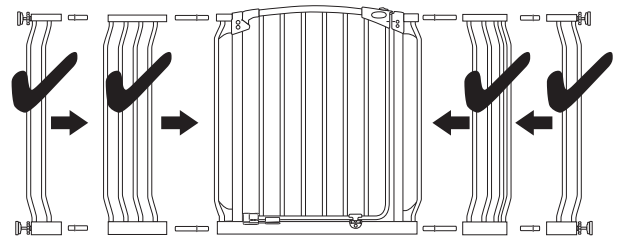
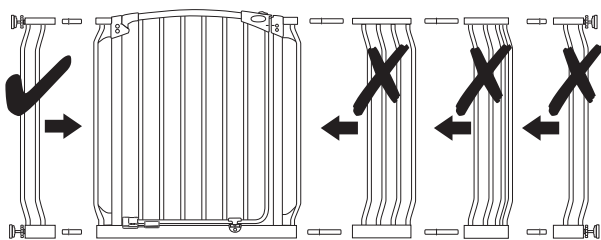
Extension wider than 27cm / 10.5in



- K - Extension Pin
- X - Lower Clamp
- Y - Upper Clamp
- Z - Connector Screws



1. Install Lower Clamp X onto bottom of gate extension using Z.
2. Slip the gate extension over pins K.
3. Screw Upper clamp into place using Z.

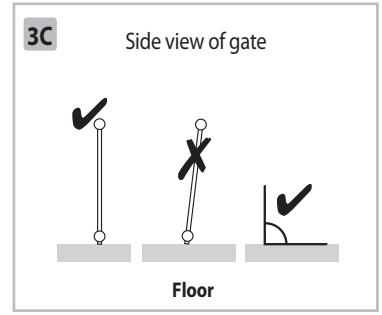
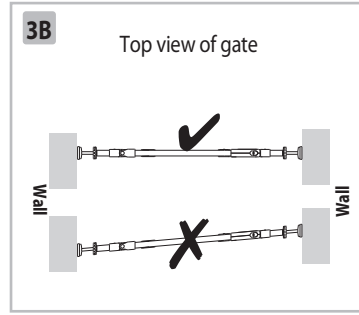
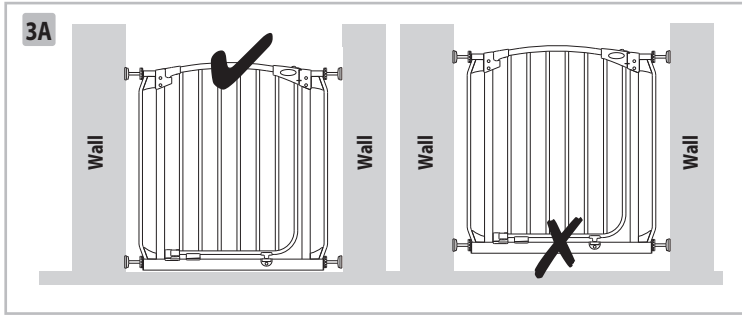


⚠ WARNING

A maximum of 4 Gate Extensions can be used, 2 on each side of gate. Do NOT install 3 Gate Extensions on the same side of gate.

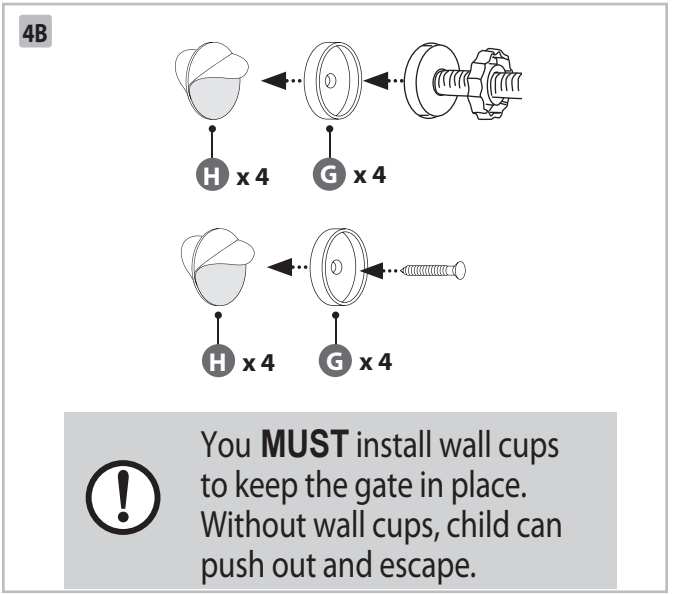
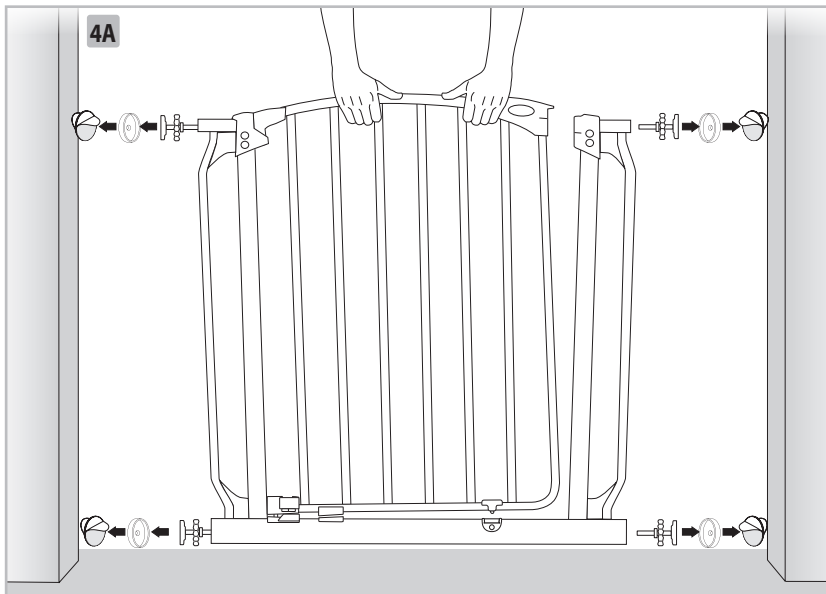
INSTALLATION

- 3.** To Install, place the gate in the opening so that the bottom of the Gate Frame is completely flat on the floor (3A), and it is perpendicular to the openings and the floor (3B & 3C).

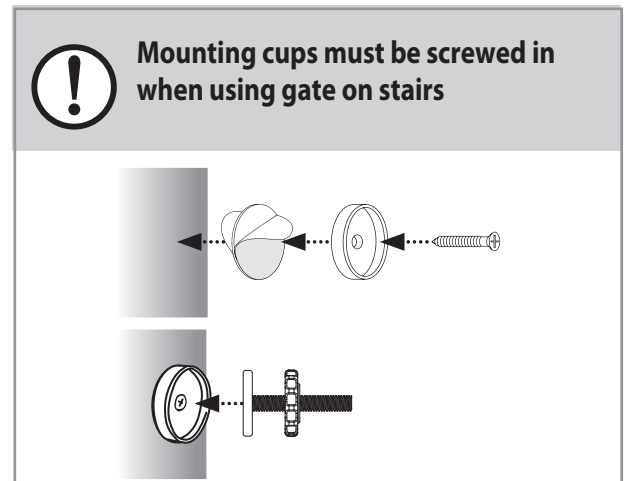
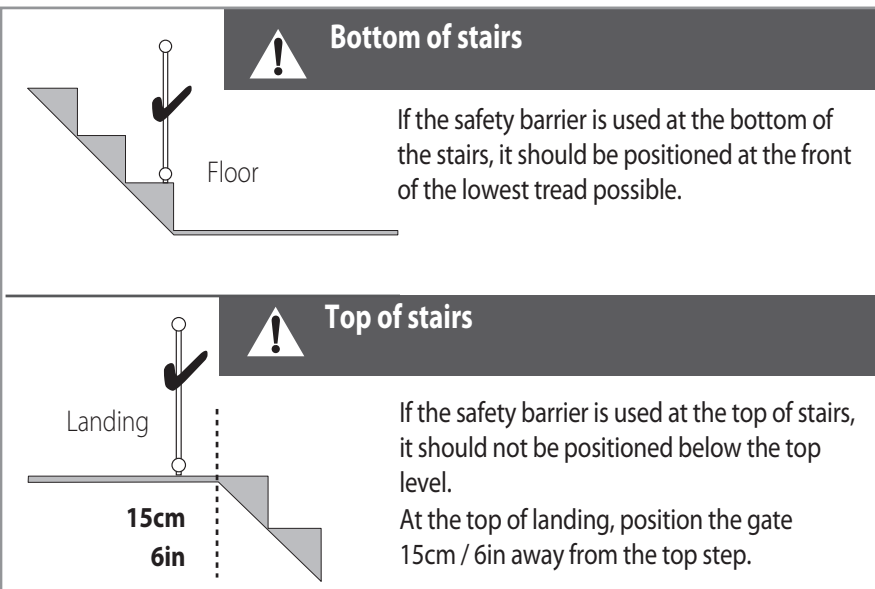


- 4.** Fasten the Mounting Cups to the wall with screws or double-sided adhesive tape (4A & 4B).

NOTE: Ensure that they are aligned vertically, so that the Mounting Cups at the top are directly above the ones at the bottom.



- 5.** For use on stairs (5A & 5B).

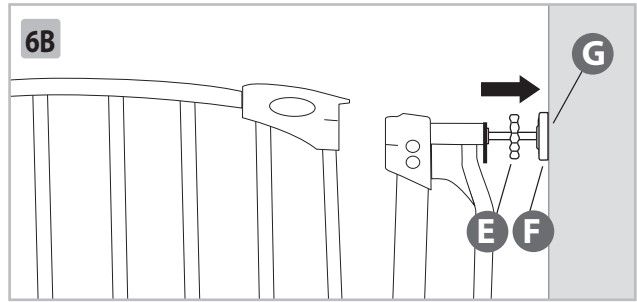
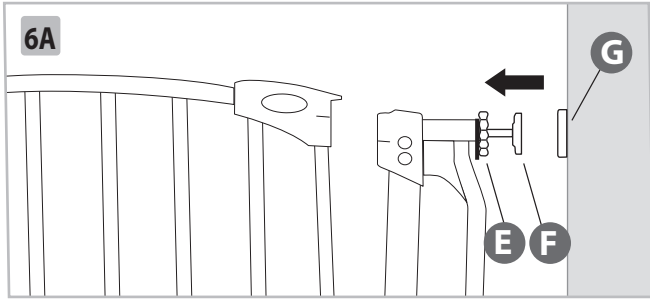


Wood screws (J) included.

For Brick or Masonry use the appropriate fittings, screws and plugs for your wall (not included)

INSTALLATION

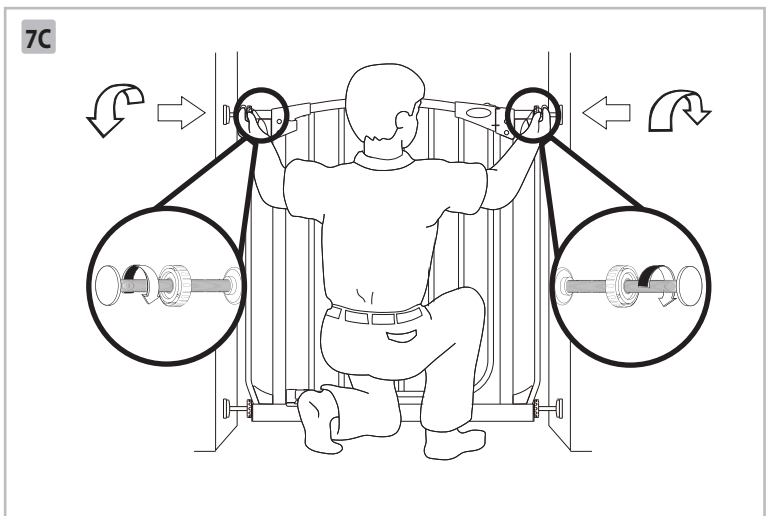
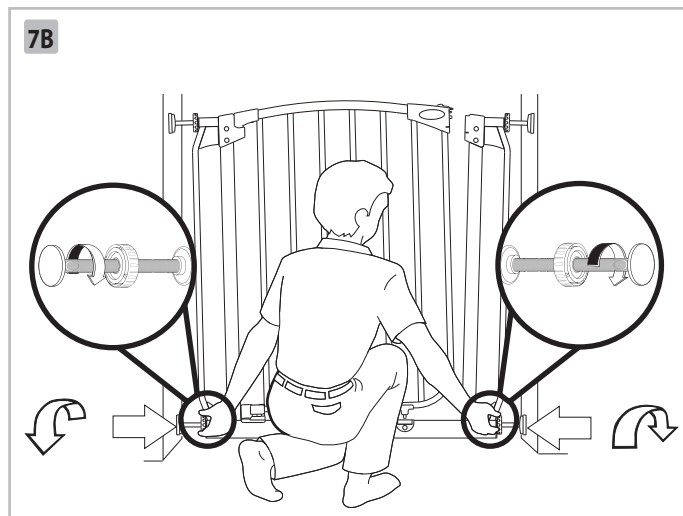
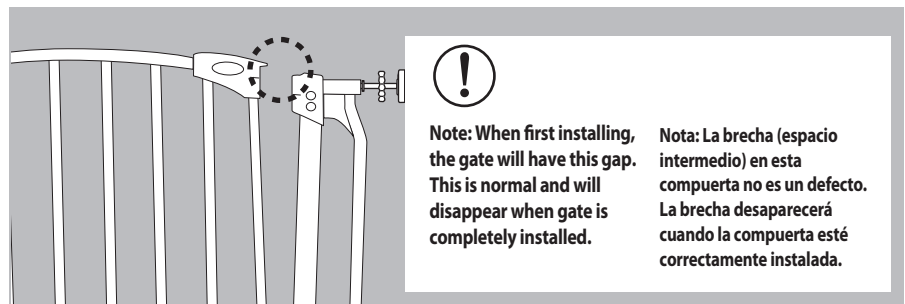
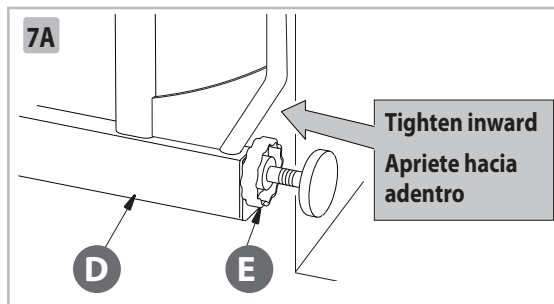
- 6.** Insert the Bolts with Rubber Pads and Tension Knobs into the Gate Frame, then partially slide the Bolts with Rubber Pads and Tension Knobs outwards into the Mounting Cups (6A & 6B).



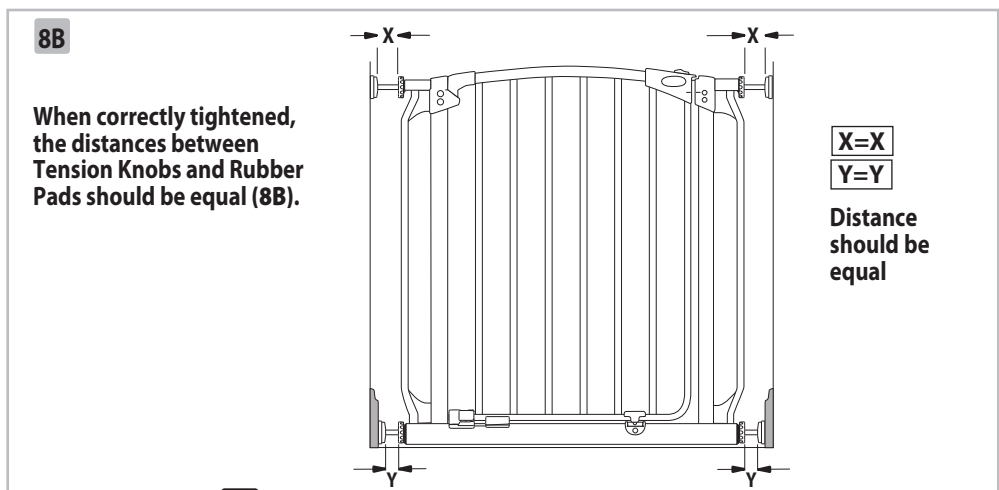
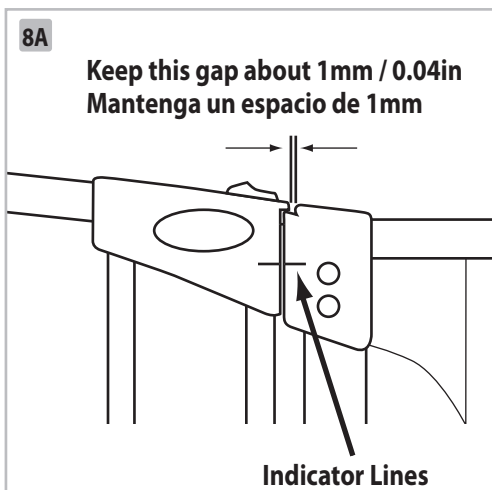
- 7.** Tighten both of the bottom Tension Knobs by turning them at the same time (7A & 7B).

NOTE: Make sure the bottom of the gate frame remains completely flat on the floor.

Next, tighten both of the Tension Knobs at the top at the same time by turning them (7C).

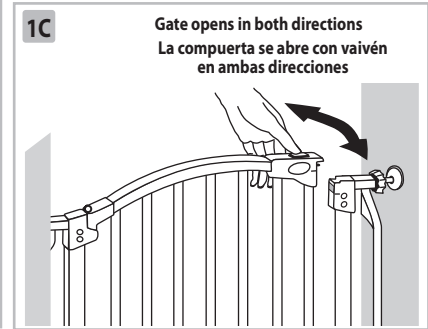
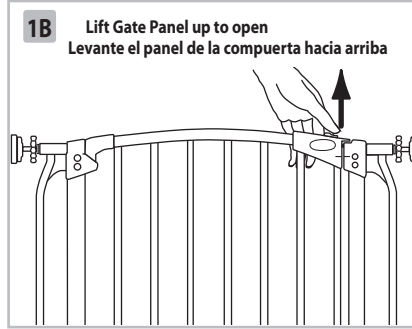
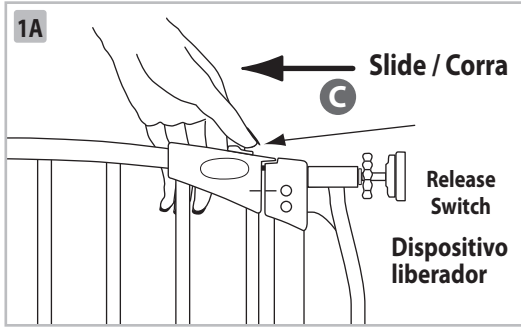


- 8.** Tighten the Tension Knobs until the two Indicator Lines, located on the Upper Locking Set and on the Right Upper Corner, align horizontally (8A).



OPERATION

1. To open the gate:

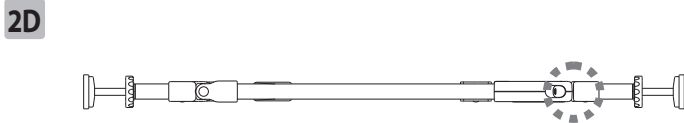
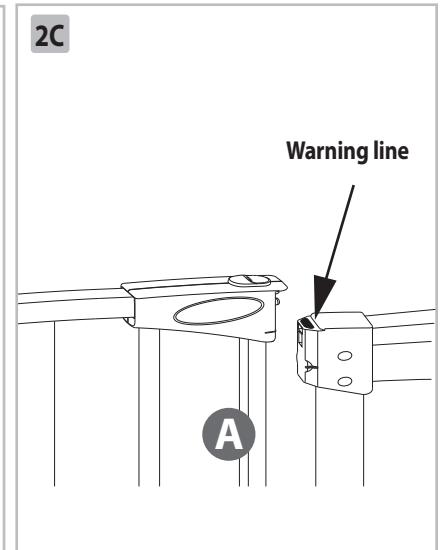
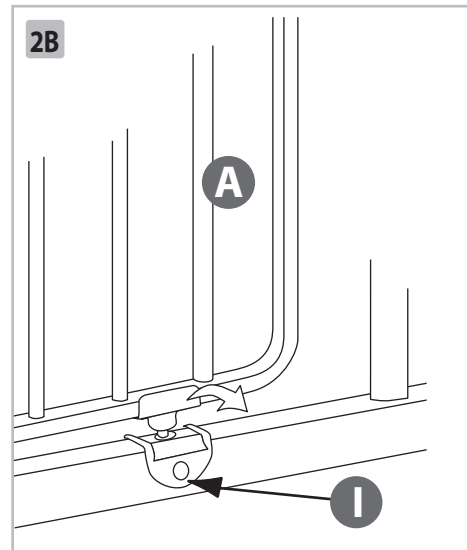
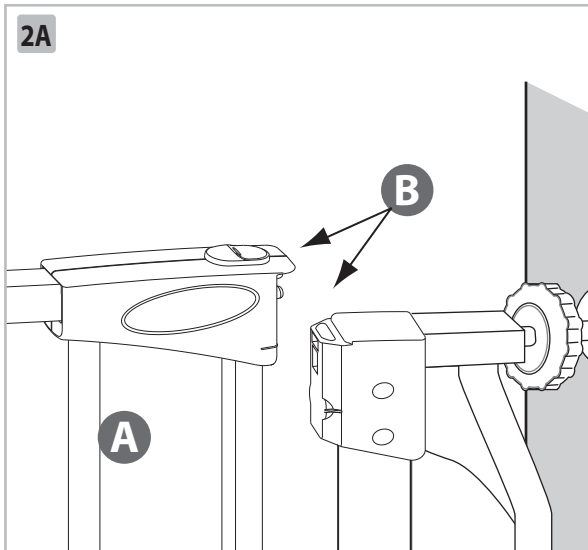


2. To close the gate:

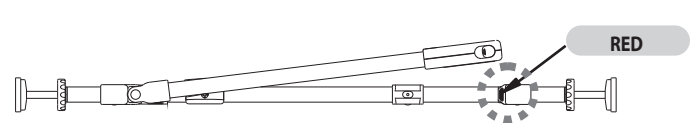
Release the Gate and it will swing closed automatically.

Try this action several times and make sure:

- The Upper and Lower Locking sets are engaged (**2A & 2B**).
- The Warning Line has disappeared (**2C & 2D**).



The warning line will disappear when the gate is locked properly.

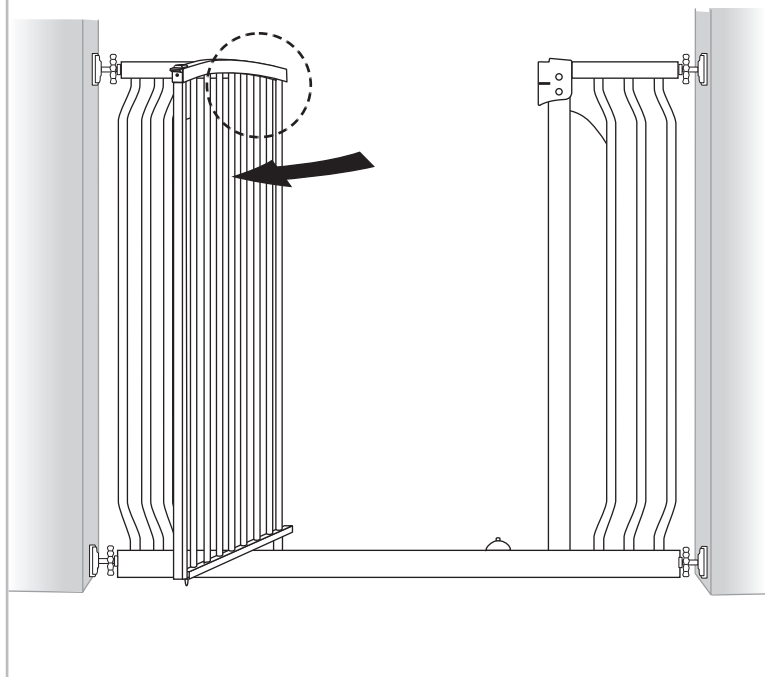


The warning line will appear RED color if the gate is opened or not locked properly.

SMART STAY-OPEN SYSTEM

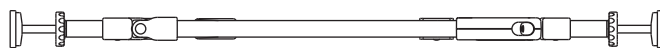
To engage the Smart Stay Open System swing gate in chosen direction to its maximum opening Gate will stay open. Close as required.

CAUTION: Keep gate closed when children are present.

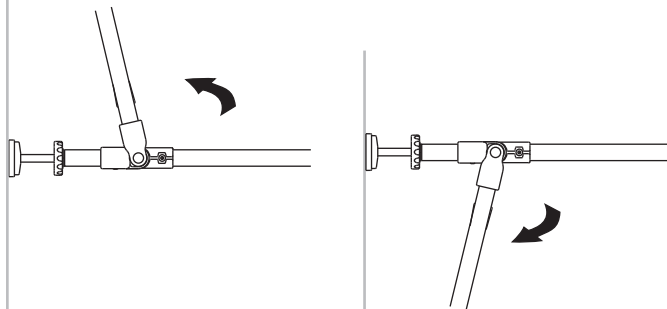


TOP VIEW OF GATE

Gate in CLOSED position



Swing to OPEN positions



MAINTENANCE & CARE

- Gate must be fitted according to instructions, to ensure it works correctly.
- Regularly check gate to ensure it is fitted properly and securely. Adjust as required.
- Regularly check tension knobs and rubber pads to make sure the gate is securely in place.
- Do not use the safety gate if any components are damaged or missing.
- To clean, wipe surface with a damp cloth or sponge using mild detergent and warm water. Never clean with abrasive, ammonia based bleach based or spirit type cleaners.
- If the gate does not stay in position or does not swing closed properly, the gate may not be installed properly. Remove and re-install gate, make sure the gate is installed vertically.
- Indicator Lines must be correctly aligned.

Keep 1mm / 0.04in gap.

- Any additional and replacement parts should be obtained from **Tee-Zed** Products.



Tee-Zed acknowledges that its customers may be entitled to statutory consumer guarantees and does not seek to exclude or limit them. These guarantees include that Tee-Zed's products are of acceptable quality. This Tee-Zed product is for the specific purpose detailed in the instructions and packaging and Tee-Zed considers use outside of that purpose to be abnormal use. To the maximum extent permitted by law, Tee-Zed does not accept any liability for damage:

- arising from abnormal use of the products;
- caused by installation or removal of the products other than in accordance with the supplied installation and removal instructions; or
- arising under the law of tort or contract.

Dreambaby® products by 

Tee-Zed Products Pty Ltd,

PO Box 2022

Bondi Junction NSW 1355

Australia

☎ +61 (0)2 9386 4000

✉ info@tee-zed.com.au

www.dreambaby.com.au

Tee-Zed Products (N.Z.) Ltd,

PO Box 64013

Botany Town Centre Auckland

New Zealand

☎ +64 (0)9 274 8788

✉ info@tee-zed.co.nz

www.dreambaby.co.nz

Tee-Zed Products Ltd,

PO Box 29227

Dunfermline, KY12 2DN

United Kingdom

☎ +44 (0)844 800 9445

✉ info@tee-zed.co.uk

www.dreambaby.co.uk

Made in Dongguan, China.

©2019 Tee-Zed Products Pty Ltd

